

THIS PACKAGE CONTAINS



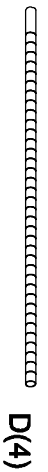
A(20)



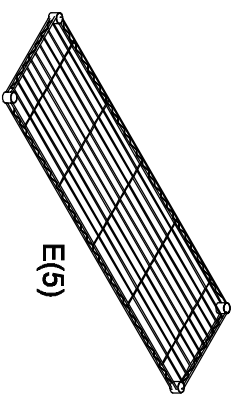
B(4)



C(4)

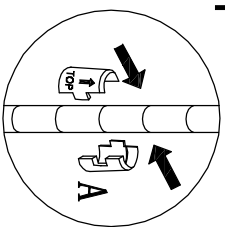


D(4)



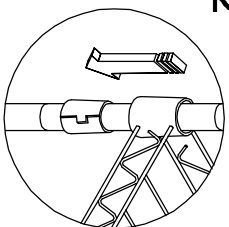
E(5)

1



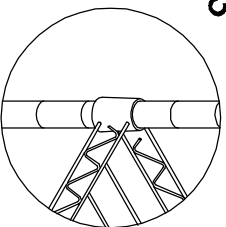
Locate the ridge into any of the grooves at the desired height

2

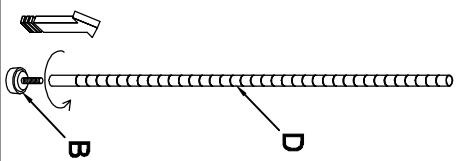


Locate the shelf down over the plastic sleeve

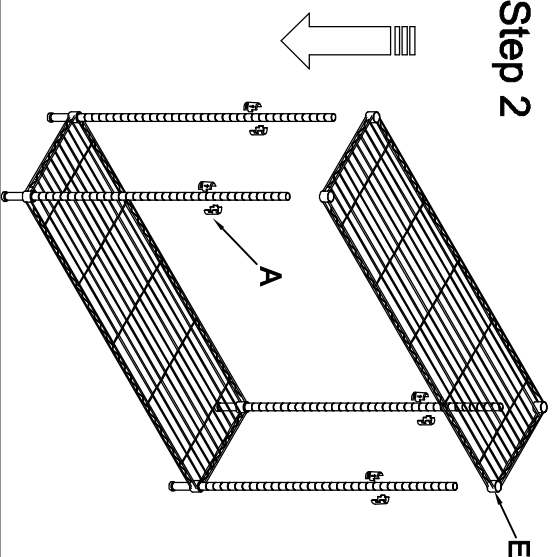
3



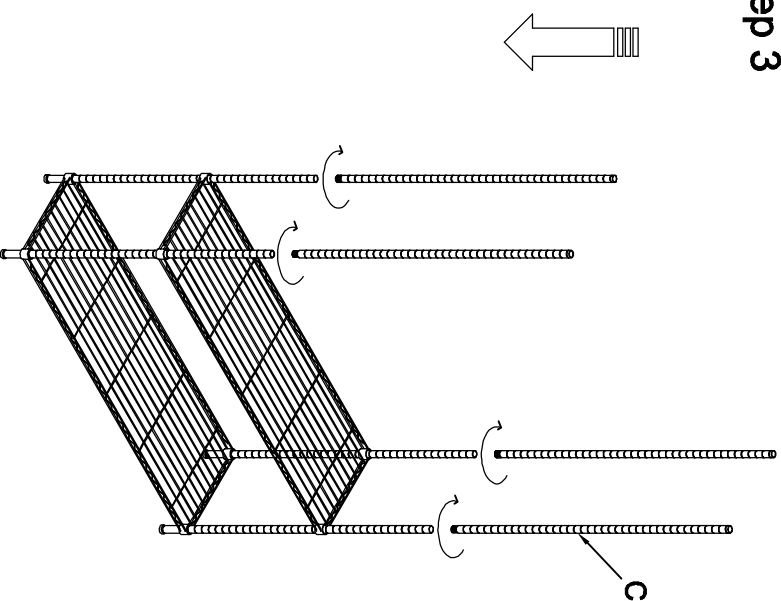
Step 1



Step 2



Step 3



Step 4

