

ENERGIZER EN91

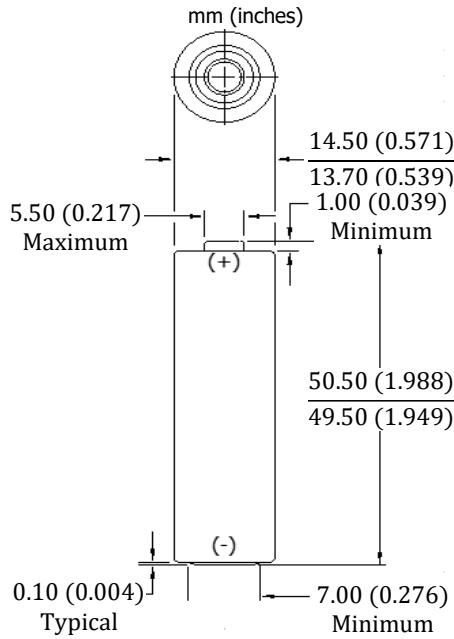
AA



Specifications

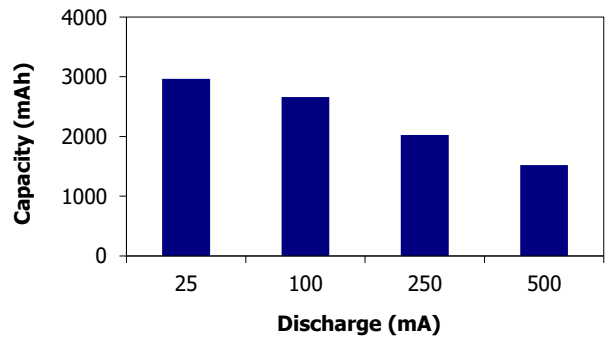
Classification:	Alkaline
Chemical System:	Zinc-Manganese Dioxide (Zn/MnO ₂) No added mercury or cadmium
Designation:	ANSI-15A, IEC-LR6
Nominal Voltage:	1.5 volts
Nominal IR:	150 to 300 milliohms (fresh)
Operating Temp:	-18°C to 55°C (0°F to 130°F)
Typical Weight:	23.0 grams (0.8 oz.)
Typical Volume:	8.1 cubic centimeters (0.5 cubic inch)
Jacket:	Plastic Label
Shelf Life:	10 years at 21°C
Terminal:	Flat Contact

Industry Standard Dimensions

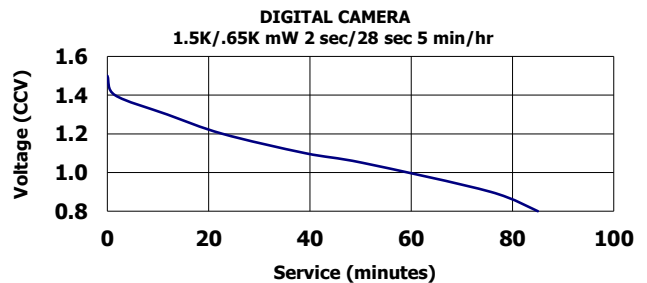
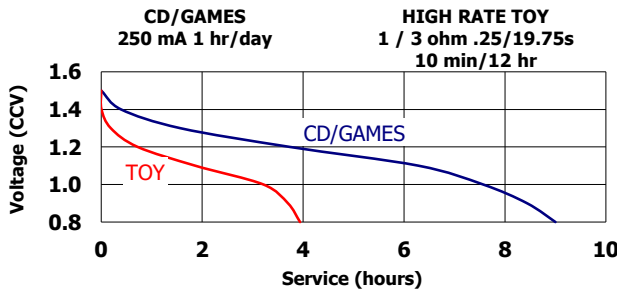
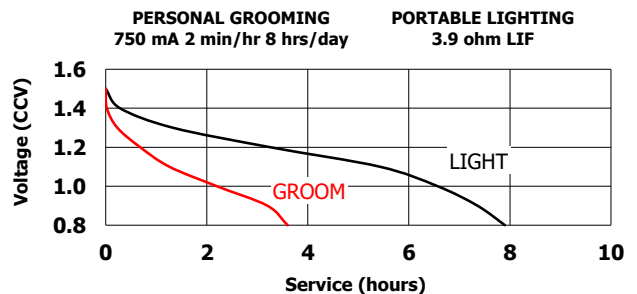
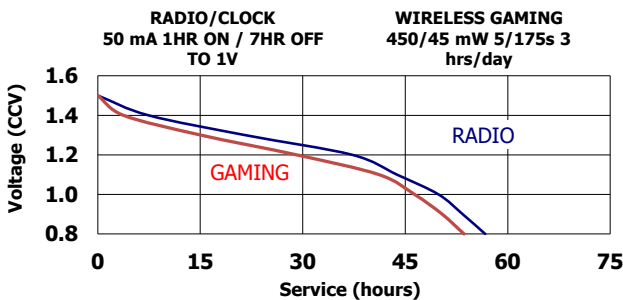


Milliamp-Hours Capacity

Continuous discharge to 0.8 volts at 21°C



Industry Standard Tests (21°C)



Important Notice

This data sheet contains typical information specific to products manufactured at the time of its publication. Contents herein do not constitute a warranty and are for reference only.